

## Geared scroll chuck with optimized design

Benefit from proven quality in optimized design. A splash water edge at the upper chuck edge is used as additional protection of the spindle against coolant. A control edge on the chuck body enables a quick and simple adjustment of the spiral ring chuck on the machine and the new security adapter allows a defined torque with a torque wrench, especially for deformation-sensitive workpieces. These chucks are used successfully in areas which requires very high clamping forces, high concentricity and high repeatability.

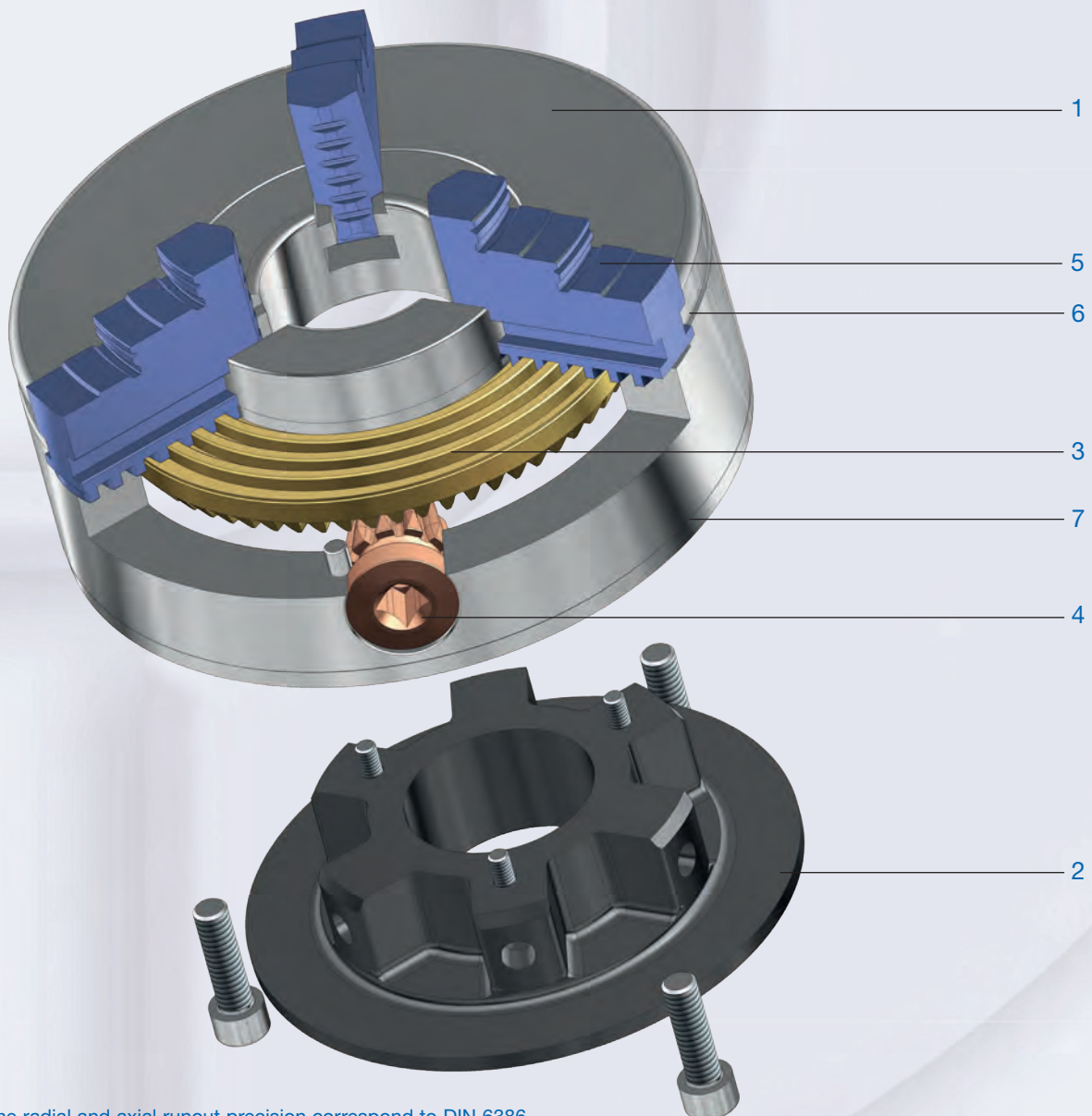
Spiral ring chucks available up to 3000mm diameter. Please contact us!

### Mechanism

The radial positioned Pinion (4) transmits the power via a bevel gearing to the Spiral Ring (3), where the spiral transmits it to the Jaws (5). Steel or cast iron body (1), Control edge (7), Cover (2).

### Lubrication

Lathe chucks must be lubricated regularly to maintain their gripping force. Appropriate directions are included in the operating instructions supplied with each chuck. All lathe chucks are equipped with grease nipples for convenient maintenance.



The radial and axial runout precision correspond to DIN 6386 Part 1 Precision Class 1 (high precision chuck)